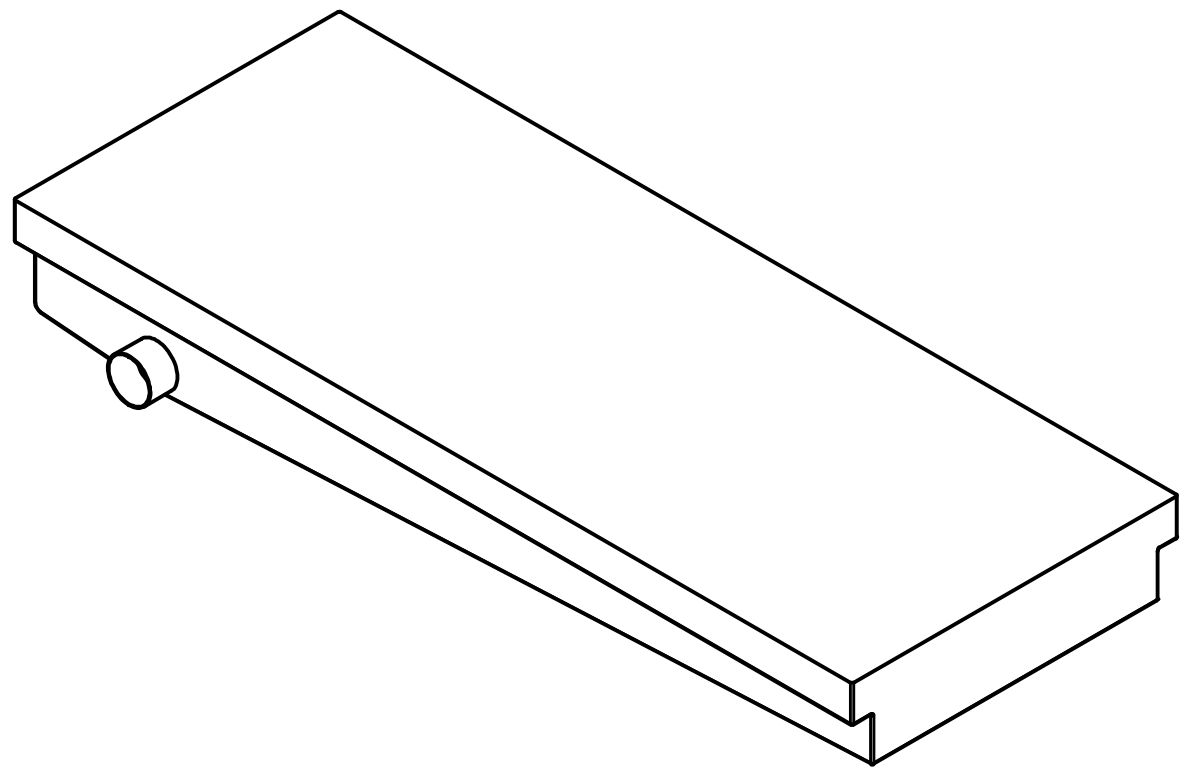
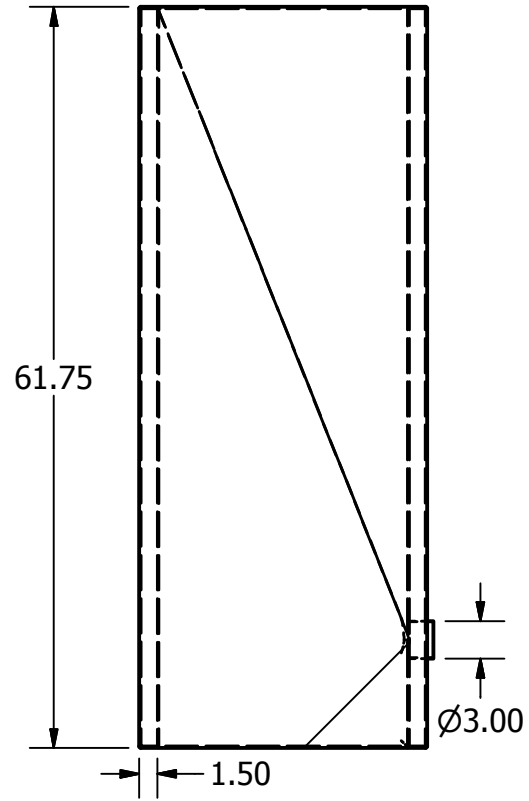


2

1

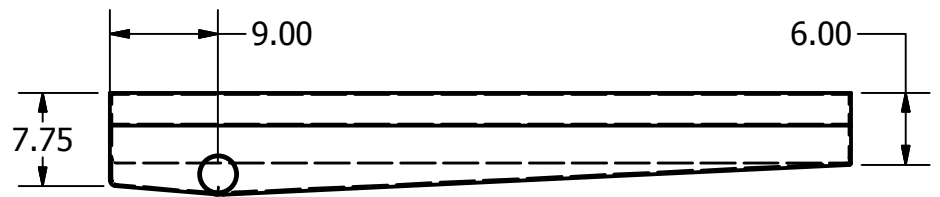
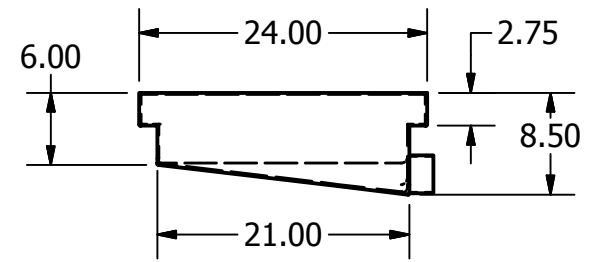
B

B



A

A



- NOTES:
- 1.) WATER AND HOLDING TANK CAPACITIES ARE APPROXIMATE.
 - 2.) FITTING POSITION AND SHRINK CAN CHANGE CAPACITY.
 - 3.) DIMENSIONS ARE IN INCHES
TOLERANCES: +/- 1/4"
 - 4.) ALL DIMENSIONS ARE REFERENCE ONLY.
 - 5.) TANK IDENTIFIED W/ LOGO.

ALPHA		
PART #		
305001		
SIZE	MATERIAL: POLYETHELENE	REV
A	GALLON CAPACITY: 38	
SCALE: NTS	12/13/17	SHEET 1 OF 1

2

1

A

A

